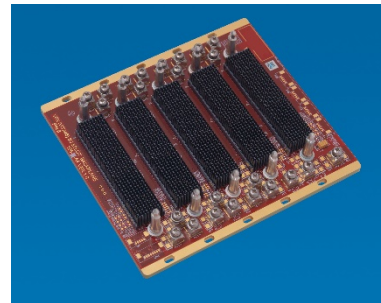




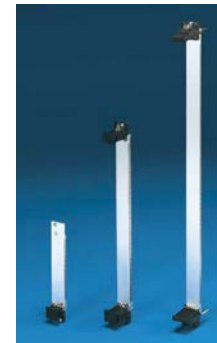
Embedded Tech Trends 2017

Pixus Technologies - "Embedded Ingenuity"

Rackmount & Rugged Systems



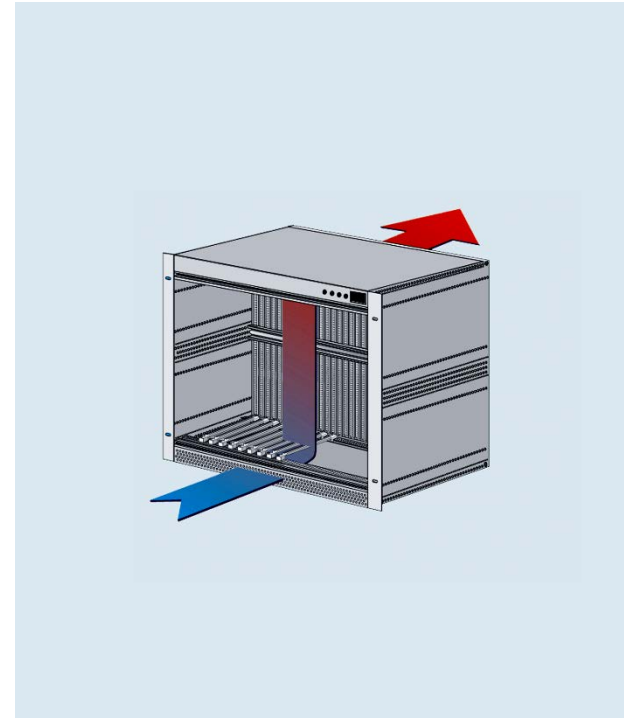
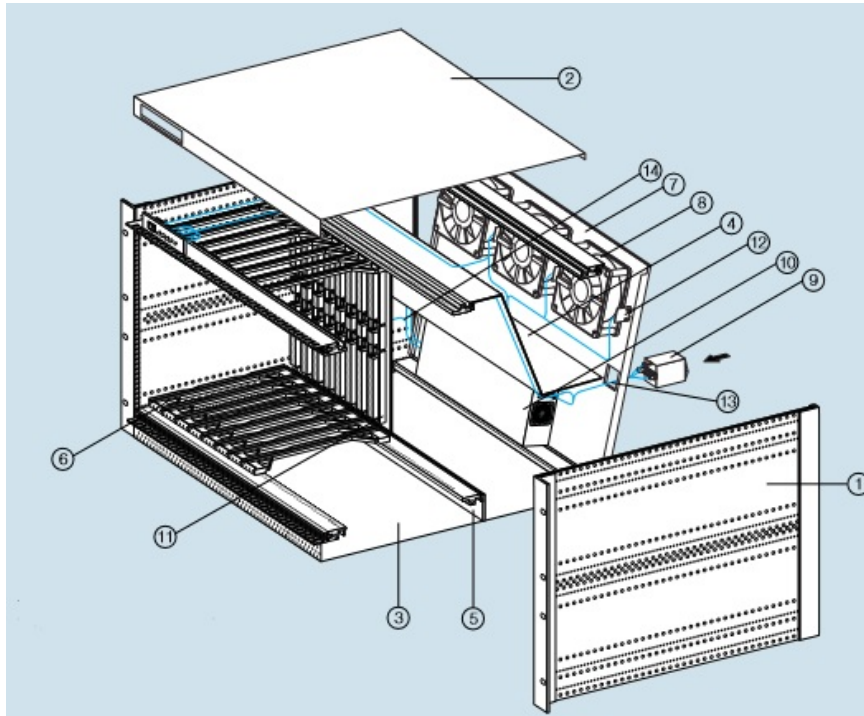
Cases, Subracks, & Rittal Brand Components



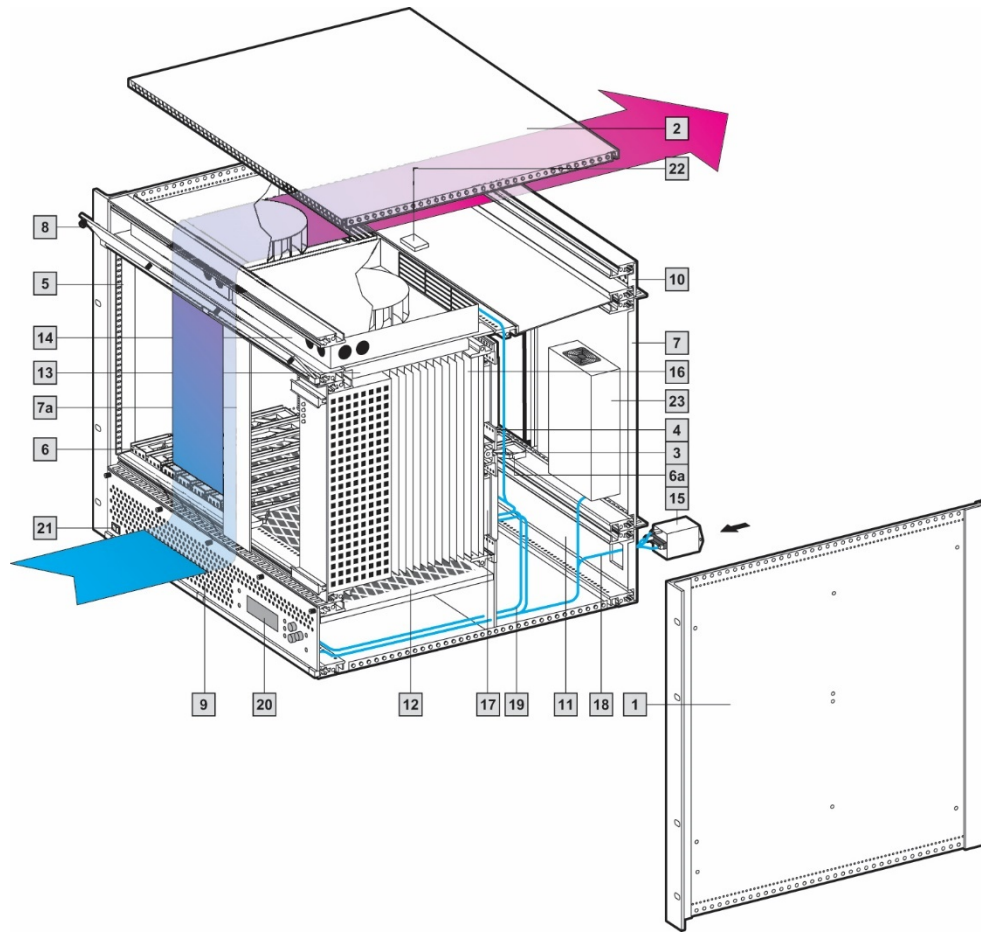
Chassis Cooling – Do you Need a Witch Doctor?



Get Rid of the “S”s in your “ystem”



A "J" is More Efficient



Let's Attach Wings to It



CFM: 191
Static pressure: 2.8" H2O